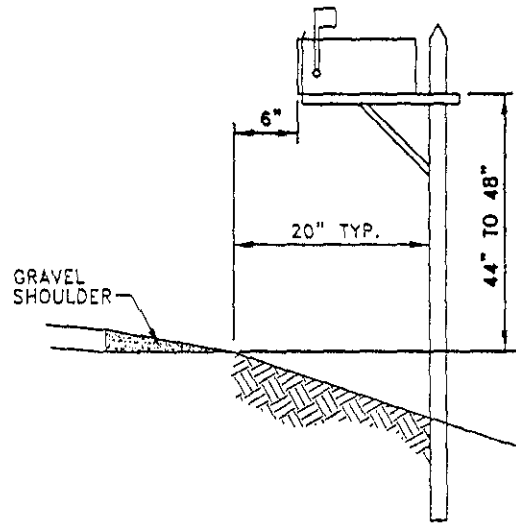
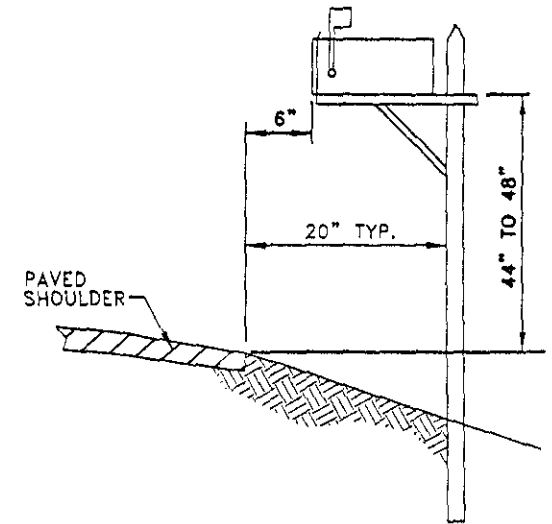


CURB AND GUTTER



GRAVEL SHOULDER



PAVED SHOULDER

*Note:*  
 THIS MAILBOX LOCATION WAS  
 APPROVED FOR USE BY:  
 CITY OF OAK CREEK &  
 U.S. POSTAL SERVICE

PRIOR TO INSTALLATION  
 PLEASE CALL DIGGERS HOTLINE:  
 1-800-242-8511