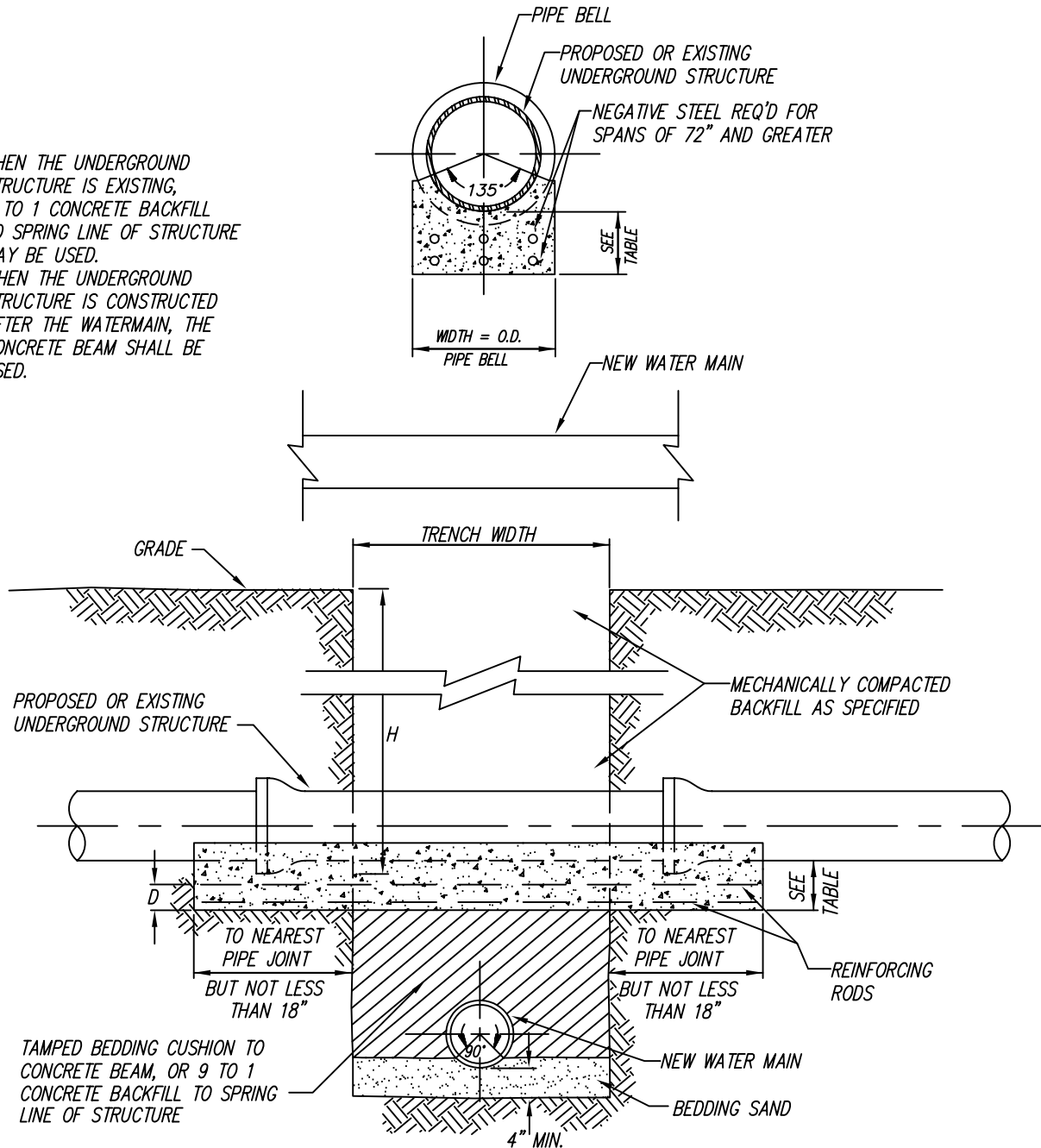


TRENCH WIDTH		24"-32"		33"-43"		44"-58"		58"-72"	
H (IN FEET)	D	STEEL REQ'D	D	STEEL REQ'D	D	STEEL REQ'D	D	STEEL REQ'D	D
4-5	6	#4-6"O.C.	6	#4-6"O.C.	7	#4-5"O.C.	8	#5-6"O.C.	
5-7	6	#4-6"O.C.	6	#4-6"O.C.	7	#5-6"O.C.	8	#5-5 1/2"O.C.	
7-9	6	#4-6"O.C.	6	#4-6"O.C.	7	#5-6"O.C.	8	#5-5"O.C.	
9-12	6	#4-6"O.C.	7	#4-6"O.C.	8	#5-6"O.C.	9	#5-4 1/2"O.C.	
12-15	6	#4-6"O.C.	7	#4-5"O.C.	9	#5-6"O.C.	10	#5-4 1/2"O.C.	

NOTE:  
 FOR SPANS OF 72 INCHES AND GREATER,  
 NEGATIVE STEEL IS REQUIRED.  
 D = DEPTH OF BEAM IN INCHES.

NOTE:  
 1)-WHEN THE UNDERGROUND STRUCTURE IS EXISTING, 9 TO 1 CONCRETE BACKFILL TO SPRING LINE OF STRUCTURE MAY BE USED.  
 2)-WHEN THE UNDERGROUND STRUCTURE IS CONSTRUCTED AFTER THE WATERMAIN, THE CONCRETE BEAM SHALL BE USED.



City of Oak Creek  
 Department of Public Works

Drawn By: K.C. Seufzer

Scale: Not to Scale

Appv. By: M.J. Sullivan

Date: January 19, 2004

SUPPORT FOR UNDERGROUND STRUCTURE WD-28