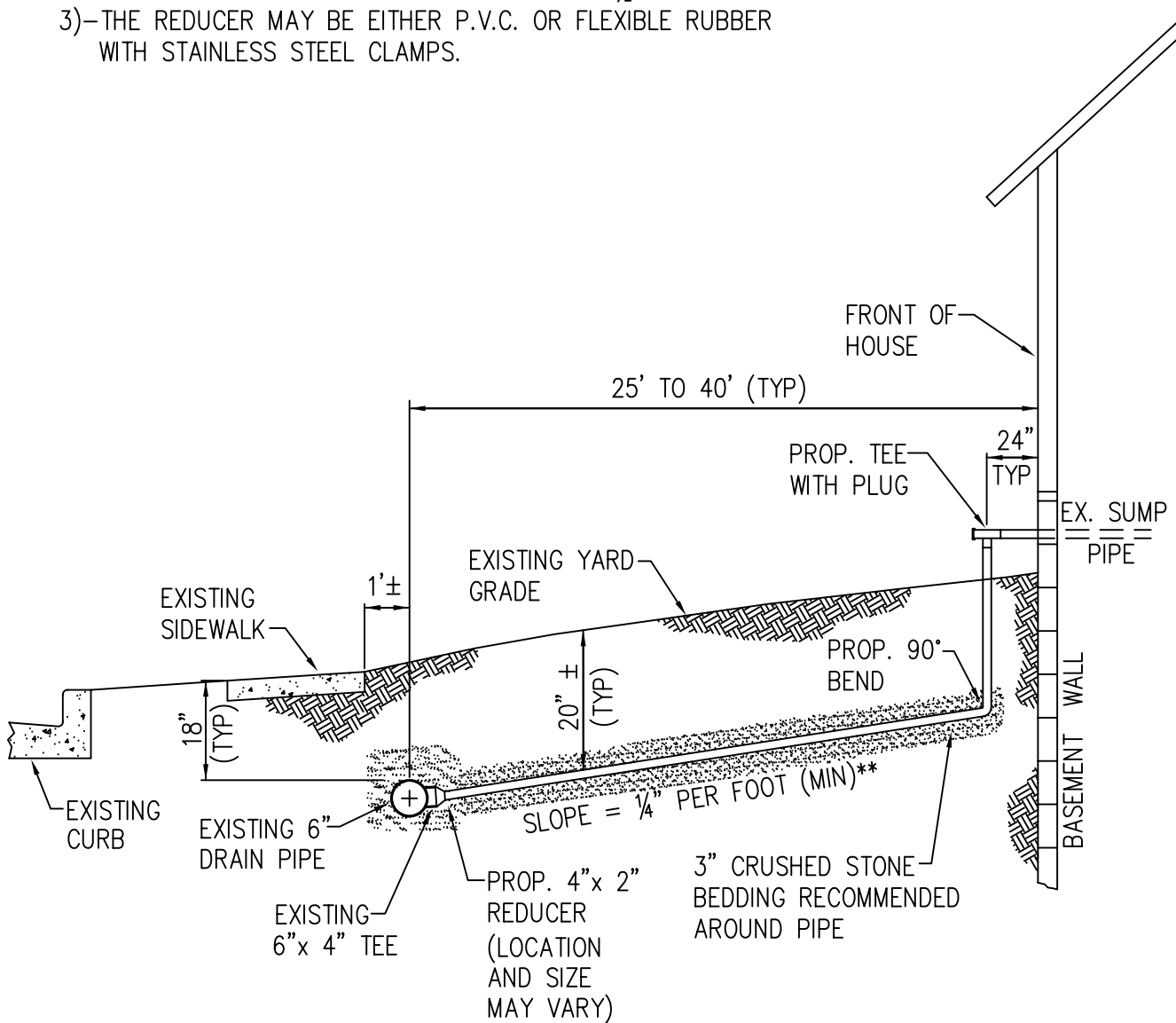



GENERAL NOTES:

- 1)-CONNECTION TO THE EXISTING 6" DRAIN PIPE MAY BE MADE BY THE HOMEOWNER WITHOUT ANY ADDITIONAL PERMITS REQUIRED.
- 2)-A SMOOTH WALL PIPE IS RECOMMENDED FOR THE SUMP PUMP CONNECTION. MINIMUM PIPE SIZE SHALL BE 1½".
- 3)-THE REDUCER MAY BE EITHER P.V.C. OR FLEXIBLE RUBBER WITH STAINLESS STEEL CLAMPS.



\*\* - THE SLOPE MUST BE AT A MIN. OF ¼" PER FT., REGARDLESS OF THE SIZE OR TYPE OF PIPE USED, OR THE LOCATION OF THE REDUCER.

 <p style="font-size: 1.2em; margin: 0;"><i>City of Oak Creek</i></p> <p style="font-size: 1.2em; margin: 0;"><i>Department of Public Works</i></p>	
Drawn By: K.C. Seufzer	Scale: N.T.S.
Appv. By: M.J. Sullivan	Date: 3/06/03
<b>TYPICAL SUMP PUMP CONNECTION</b>	
<b>SP-1</b>	