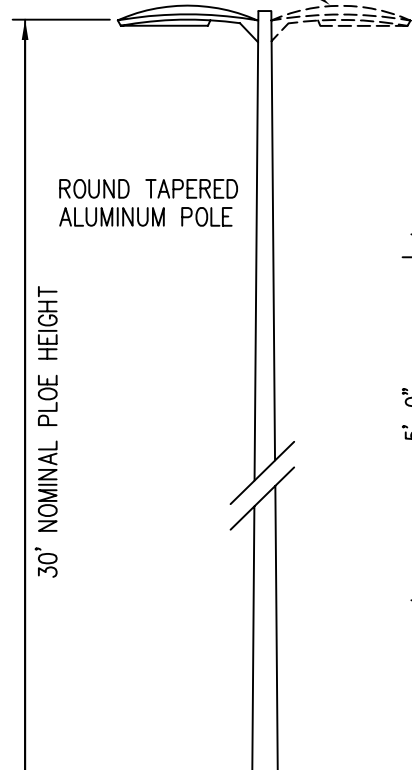
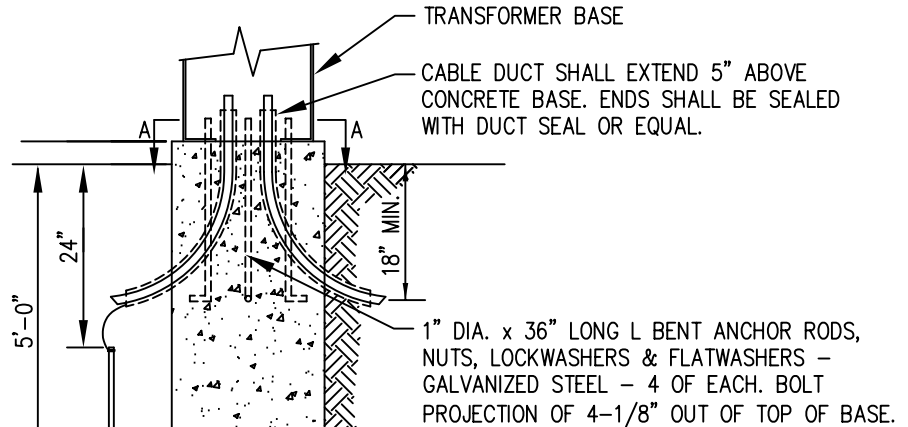


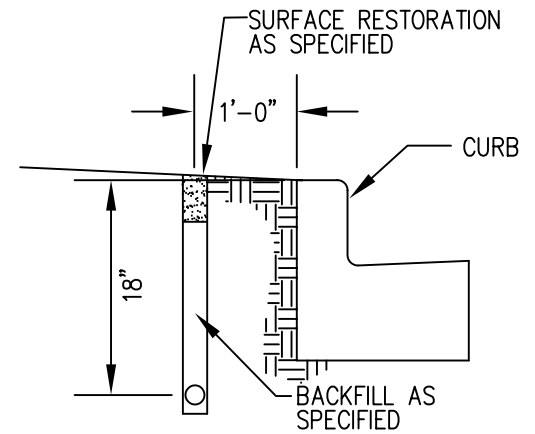
DUAL FIXTURES FOR MEDIAN PLACEMENTS ONLY



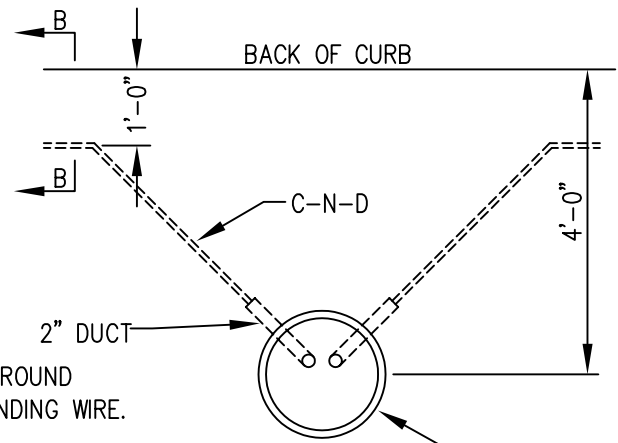
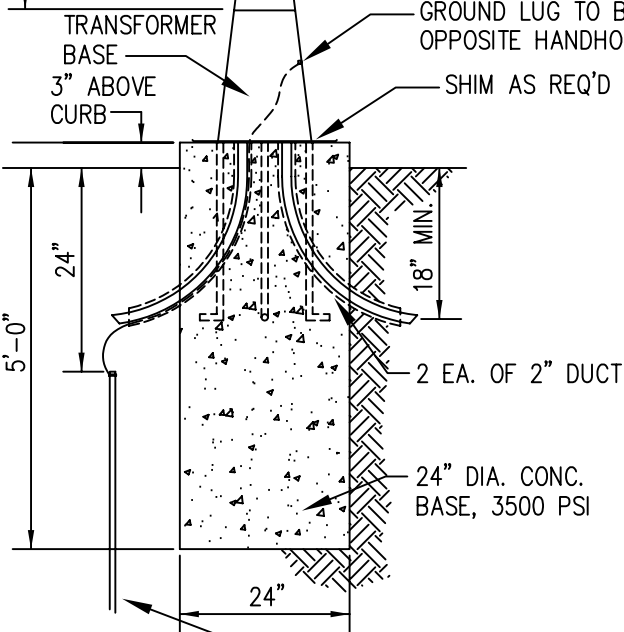
NOTES:  
 LEXINGTON MODEL 2908-45805T4 STREET LIGHTING POLE,  
 LEXINGTON MODEL 08R1012B17 TRANSFORMER BASE, AND  
 GARDCO G18-1-3XL-150HPS-480-BRP-RPA2 LUMINAIRE(S).  
 POLE, BASE, AND FIXTURE TO BE MATCHING BRONZE IN COLOR.



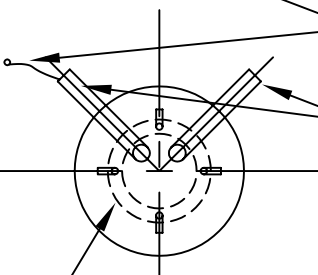
ELEVATION



SECTION B-B  
 C-N-D INSTALLATION



PLAN VIEW  
 POLE BASE & C-N-D LOCATION



SECTION A-A  
 POLE MOUNTING & BASE

5/8" x 8'-0" COPPERWELD GROUND ROD W/ #4 AWG BARE GROUNDING WIRE.

TWO DUCTS TO EXIT CONCRETE BASE AT 90° FROM EACH OTHER, EXTEND 6" OUT FROM CONCRETE.



City of Oak Creek  
 Department of Public Works

Drawn By: K. SEUFZER

Scale: N.T.S

Appv. By: M. SIMMONS

Date: 12/13/04 (Revised)

STREET LIGHTING  
 DECORATIVE COMMERCIAL LIGHTING STANDARD

SL-6